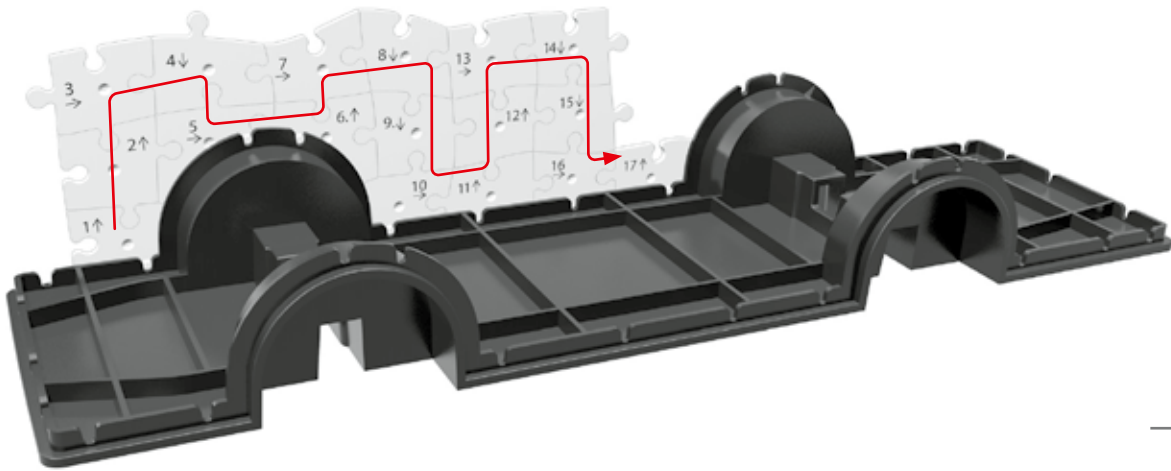
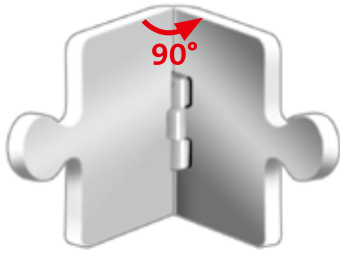


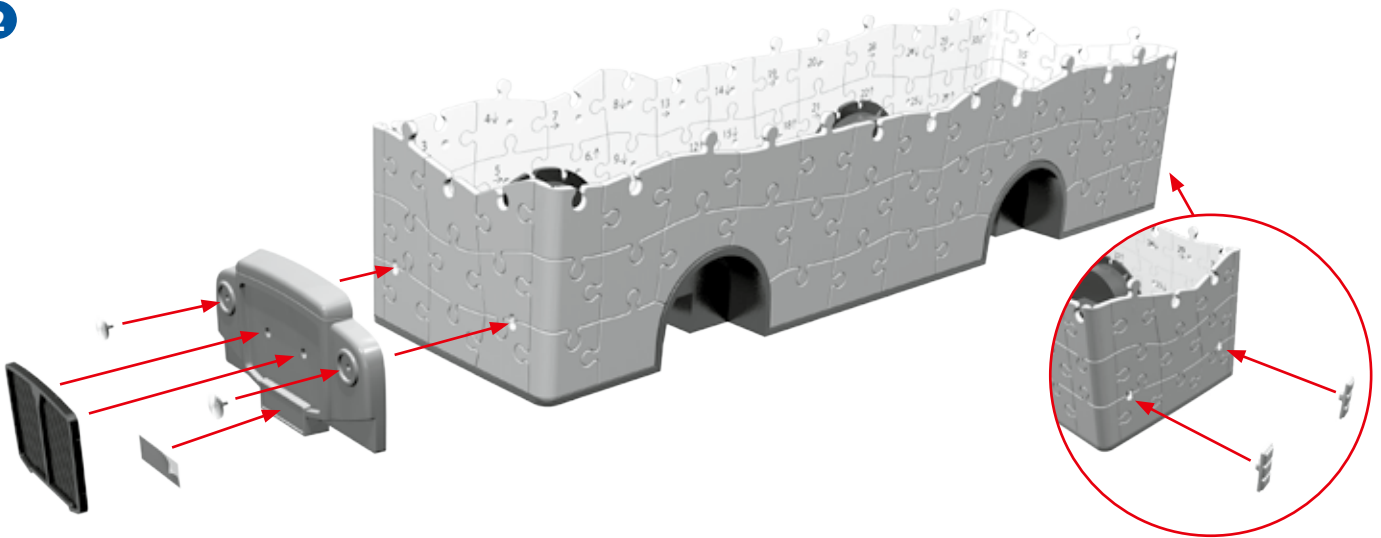
3D Puzzle



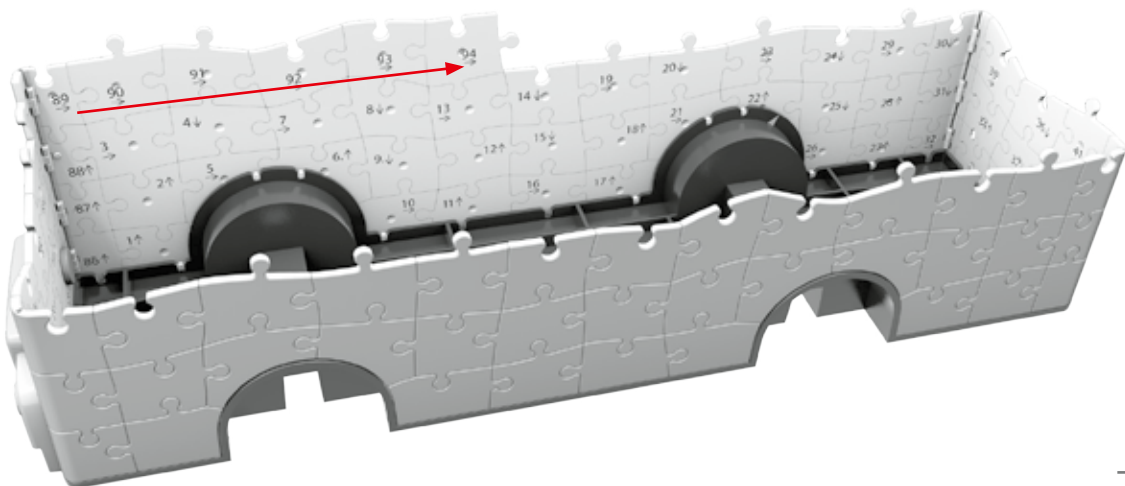
1



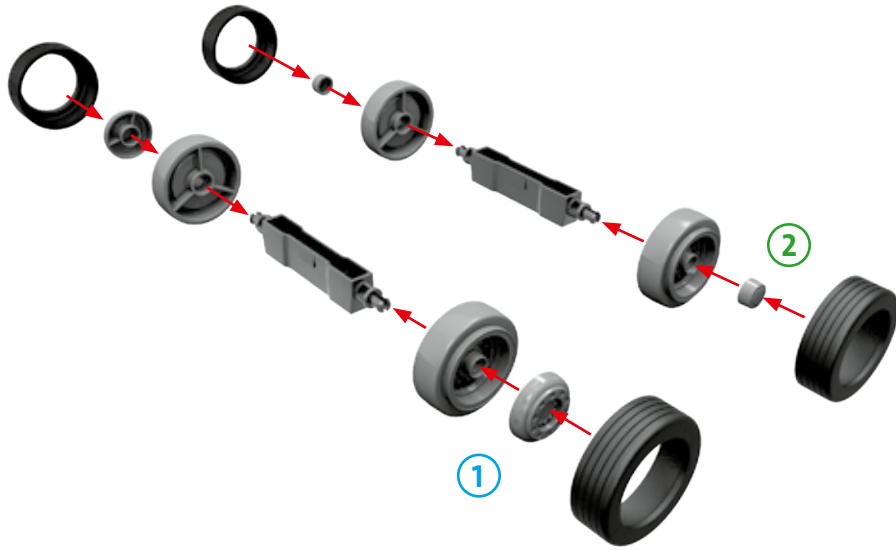
2



3



4



5

